

ALPHA ROLLER BANNER STANDS

ROLLER BANNER STANDS



Single sided graphic display

Sleek satin anodised casing and pole set

Magnetically attaching black chrome end trims

Patented smooth action roller mechanism

plex
DISPLAY

ROLLER BANNER STANDS

ALPHA

ELEGANT AND STYLISH

ALPHA IS AN **INNOVATIVE AND EXCITING NEW** ROLLER BANNER SYSTEM FROM PLEX DISPLAY. **THIS ELEGANT AND STYLISH** DISPLAY UNIT IS DESIGNED FOR USE WITH SINGLE SIDED GRAPHICS. OFFERING **TOOL-FREE, RAPID ASSEMBLY** AND A VISIBLE GRAPHIC HEIGHT OF 2100MM, ALPHA IS **PERFECTLY SUITED TO ANY DISPLAY LOCATION.**

FEATURES

- Single sided graphic display
- Elegant slender shape
- Sleek satin anodised casing and pole set
- Integral bungeed poles
- Weighted base for added stability with anti-slip feature
- Magnetically attaching black chrome end trims
- Patented smooth action roller mechanism
- System set up in seconds
- System is supplied pre-tensioned
- Graphic tension can be adjusted easily
- Quick change graphic facility
- Visible graphic size is 2100 x 800mm
- Comes complete with a luxury padded carry bag

ACCESSORIES

- Transit case available
- Range of light styles available



plex
DISPLAY

SINGLE SIDED DISPLAY

H



1. Helios 3
50w hi spotlight
2. Helios 4
50w hi spotlight
3. Helios 5
50w hi spotlight
4. Helios 7
50w low voltage spotlight
5. Helios 8
50w low voltage spotlight

ROLLER BANNER STANDS

COMPACT AND PORTABLE | LIGHTING OPTIONS | SET UP IN SECONDS

SPECIFICATIONS

GRAPHIC PANEL SIZE

Finished graphic panel size
2300 x 800mm
(Includes 200mm bleed)

Visual graphic area

2100 x 800mm

Maximum finished graphic panel thickness

250 micron

SYSTEM SIZES

Boxed size

800mm = 915 (L) x 250 (W) x 115 (D)mm

Assembled size

800mm = 835 (W) x 200 (D) x 2145 (H)mm

BOXED WEIGHT

800mm = 4.4kg

COMPONENT LIST

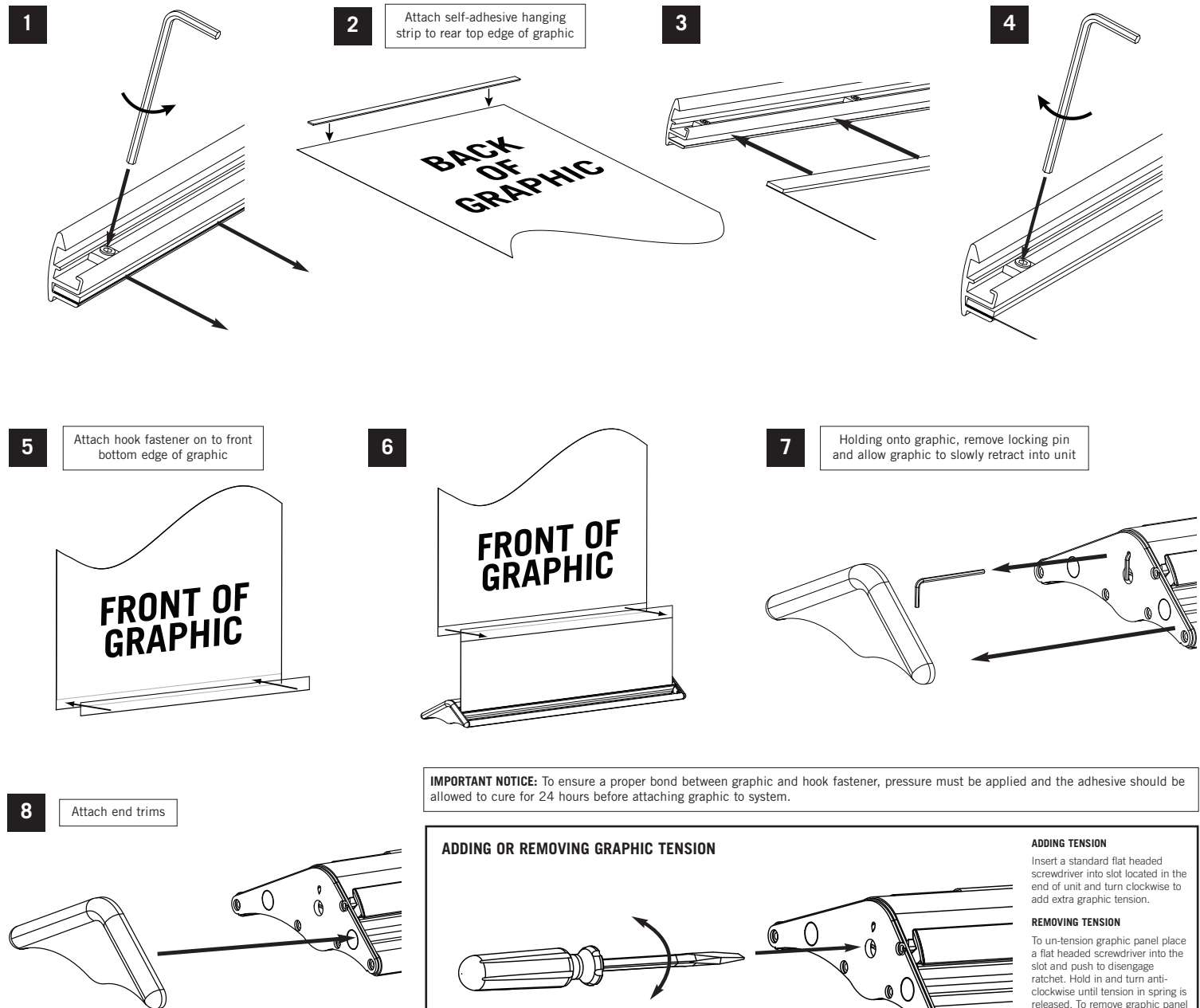
Alpha unit complete with bungeed poles

Graphic hanger includes self adhesive hanging strip

Padded carry bag

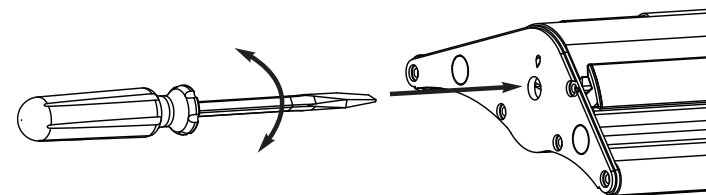
Spare Allen Key / locking pin

GRAPHIC ATTACHMENT



IMPORTANT NOTICE: To ensure a proper bond between graphic and hook fastener, pressure must be applied and the adhesive should be allowed to cure for 24 hours before attaching graphic to system.

ADDING OR REMOVING GRAPHIC TENSION



ADDING TENSION

Insert a standard flat headed screwdriver into slot located in the end of unit and turn clockwise to add extra graphic tension.

REMOVING TENSION

To un-tension graphic panel place a flat headed screwdriver into the slot and push to disengage ratchet. Hold in and turn anti-clockwise until tension in spring is released. To remove graphic panel carefully peel it off leader sheet. The graphic hanger can also be removed or a new hanger can be purchased.

plex
DISPLAY

International Patent Application
No. WO 02/057588
No. PCT/GB02/00129 in USA

Issue 1 - June 2008

SPECIFICATIONS

GRAPHIC PANEL SIZE
Finished graphic panel size
2300 x 800mm
(Includes 200mm bleed)

Visual graphic area
2100 x 800mm

Maximum finished graphic panel thickness
250 micron

SYSTEM SIZES

Boxed size
800mm = 915 (L) x 250 (W) x 115 (D)mm

Assembled size
800mm = 835 (W) x 200 (D) x 2145 (H)mm

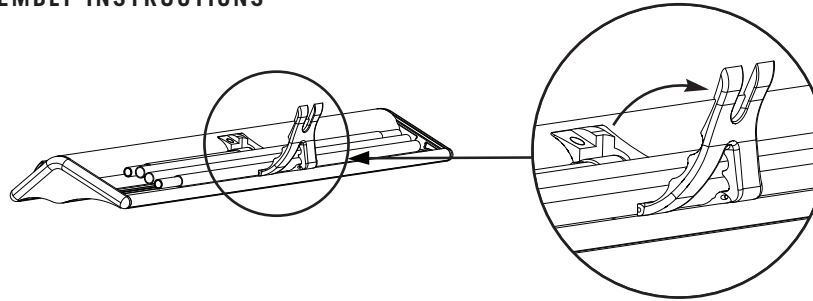
BOXED WEIGHT
800mm = 4.4kg

COMPONENT LIST

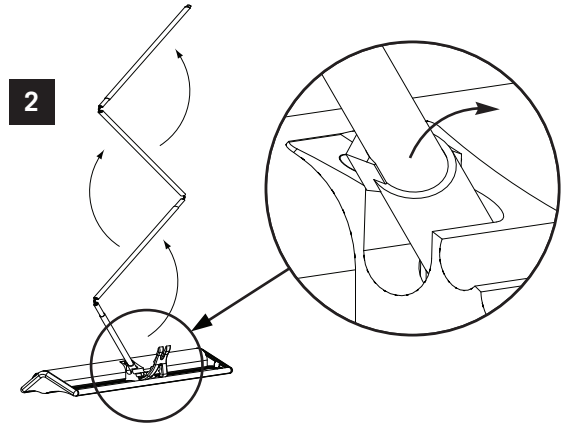
- Alpha unit complete with bungeed poles
- Graphic hanger includes self adhesive hanging strip
- Padded carry bag
- Spare Allen Key / locking pin

ALPHA BANNER STAND ASSEMBLY INSTRUCTIONS

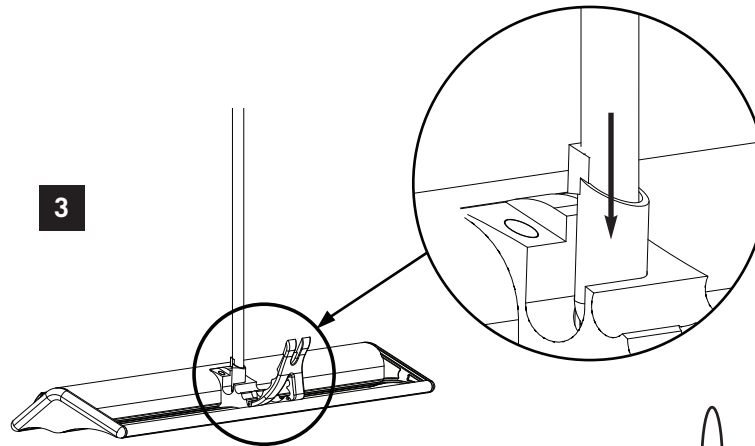
1



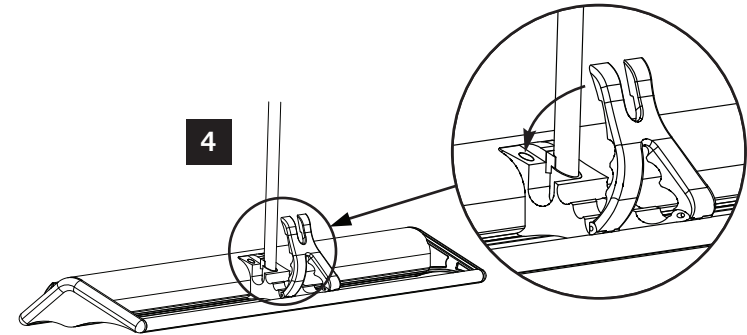
2



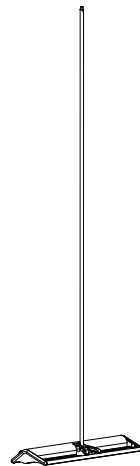
3



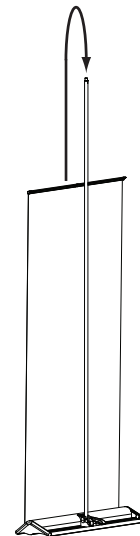
4



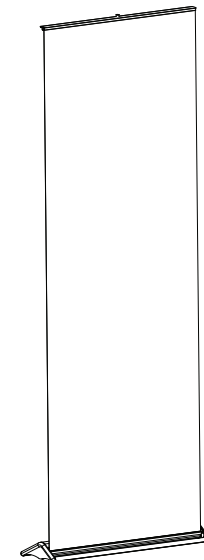
5



6



7



IMPORTANT NOTICE:

When retracting a graphic always slowly guide it into base housing, otherwise graphic damage may occur.

plex
DISPLAY

International Patent Application
No. WO 02/057588
No. PCT/GB02/00129 in USA