

## SPECIFICATIONS

### GRAPHIC PANEL SIZES

Finished graphic panel size

2150 x 1200 / 1000 / 800 / 600mm

### Visual graphic area

2100 x 1200 / 1000 / 800 / 600mm

### Maximum finished graphic panel thickness

250 micron

### SYSTEM SIZES

#### Boxed size

1200 = 1290 (L) x 210 (W) x 100 (D)mm

1000 = 1090 (L) x 210 (W) x 100 (D)mm

800 = 890 (L) x 210 (W) x 100 (D)mm

600 = 760 (L) x 210 (W) x 100 (D)mm

#### Assembled size

1200 = 1220 (W) x 190 (D) x 2120 (H)mm

1000 = 1020 (W) x 190 (D) x 2120 (H)mm

800 = 820 (W) x 190 (D) x 2120 (H)mm

600 = 620 (W) x 190 (D) x 2120 (H)mm

### BOXED WEIGHTS

#### Single sided

1200mm = 6.20kg      1000mm = 5.72kg

800mm = 4.44kg      600mm = 3.63kg

#### Double sided

1200mm = 7.73kg      1000mm = 6.58kg

800mm = 5.62kg      600mm = 4.81kg

## COMPONENT LIST

Sidewinder unit complete with poles (except 600mm wide, where poles are separate)

Graphic hanger (single sided unit - 1 hanger, double sided unit - 2 hangers)

Pole insert for double sided unit

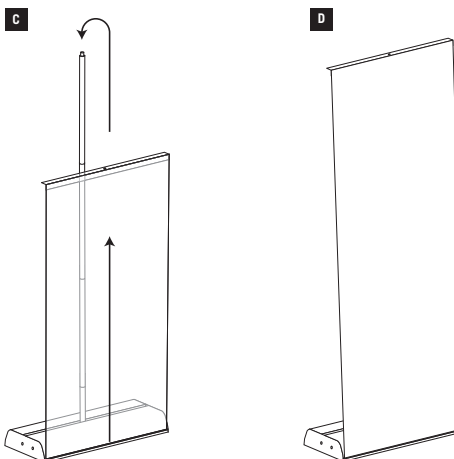
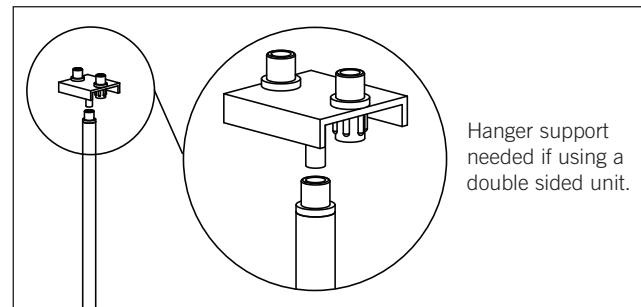
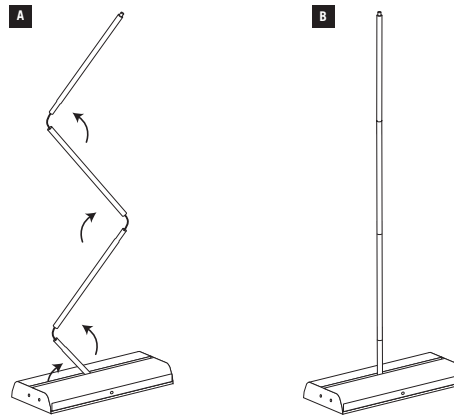
Padded carry bag

Redcliffe Imaging Ltd  
21 Dragon Court  
Crofts End Road  
Bristol BS5 7XX

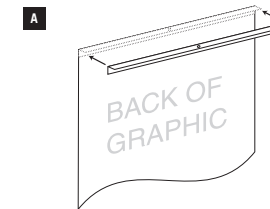
0117 952 0105

## SIDEWINDER

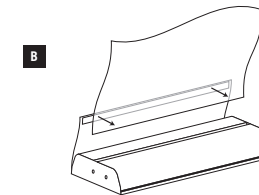
### ASSEMBLY INSTRUCTIONS



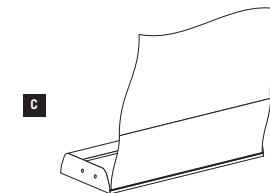
## GRAPHIC ATTACHMENT



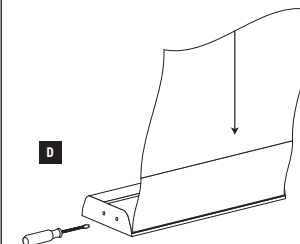
**A** Attach top rear of graphic panel to double sided tape on top hanger.



**B** Attach front bottom edge of graphic panel to double sided tape on leader sheet, as shown.



**D** Use a standard flat headed screw driver to wind the graphic into unit. We recommend between 20 and 30 complete clockwise turns to achieve optimum tension, although this may vary (+/-) with different styles of graphic material.



### IMPORTANT NOTES

When retracting a graphic always slowly guide it into base housing, otherwise graphic damage may occur.

To ensure a proper bond between graphic and hanger bar pressure must be applied. Also the adhesive should be allowed to cure for 24 hours before the Sidewinder is used.

### REMOVING THE TENSION FROM A SIDEWINDER

To un-tension graphic panel place a flat headed screwdriver into the slot and push to disengage ratchet. Hold in and turn anti-clockwise until tension in spring is released. To remove graphic panel carefully peel it off leader sheet. The graphic hanger can also be removed or a new hanger can be purchased.