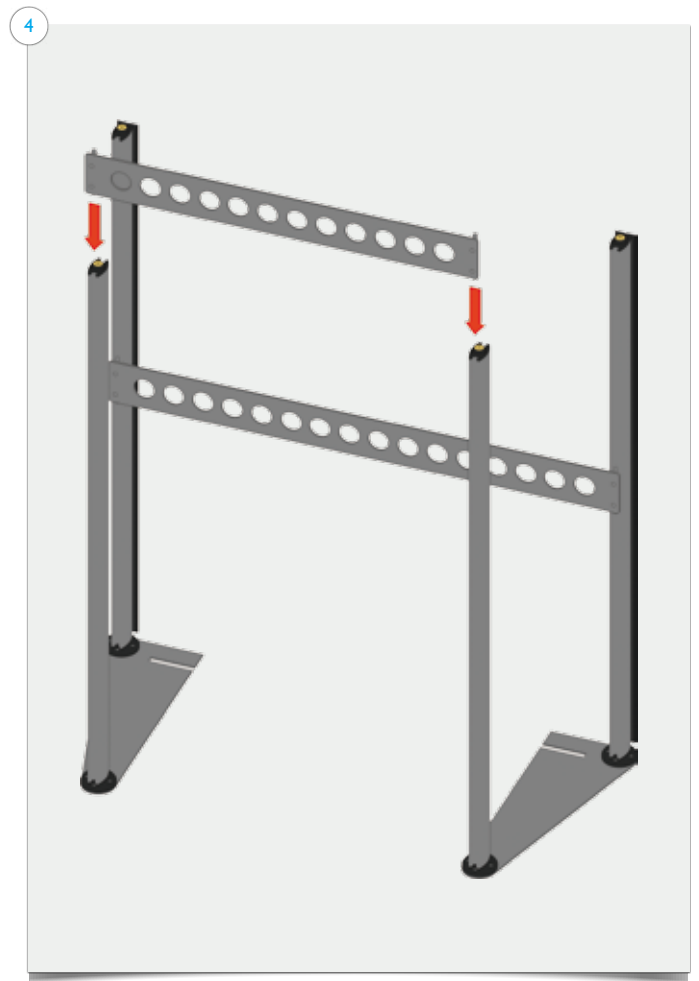
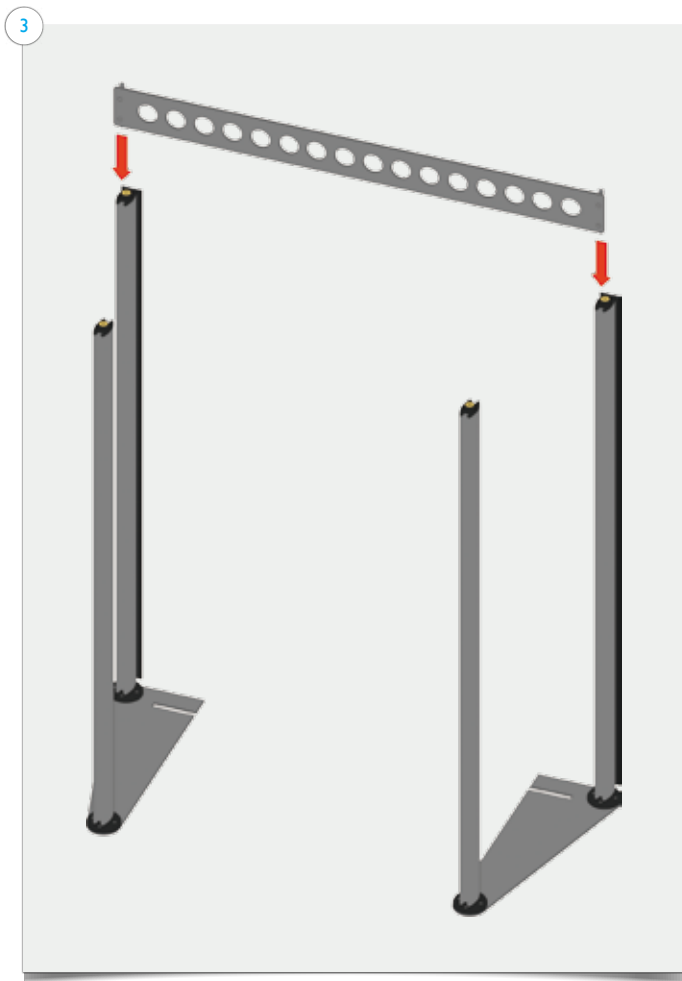
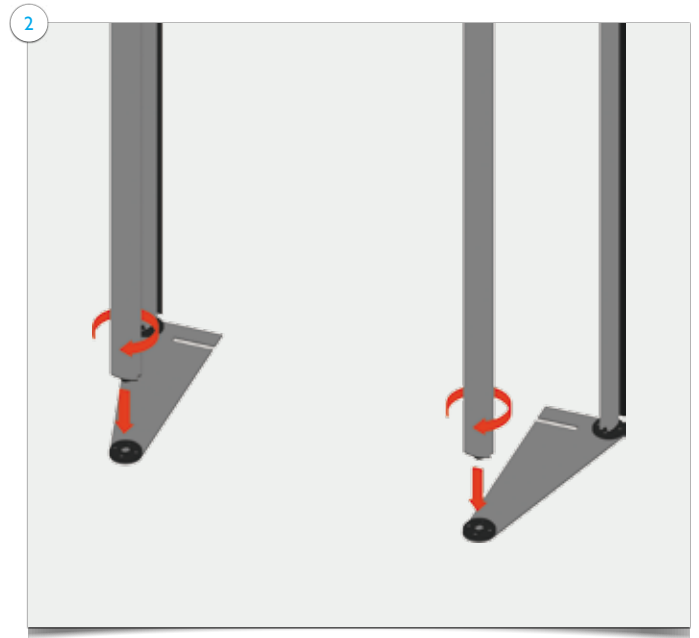
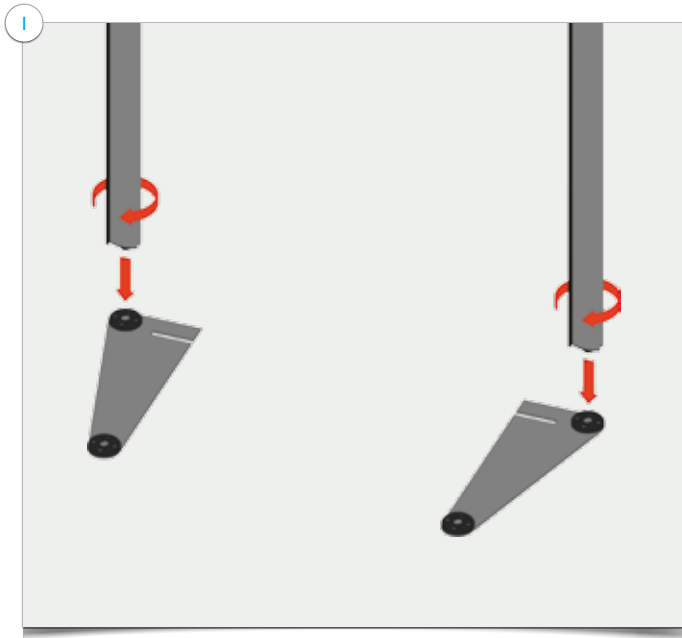


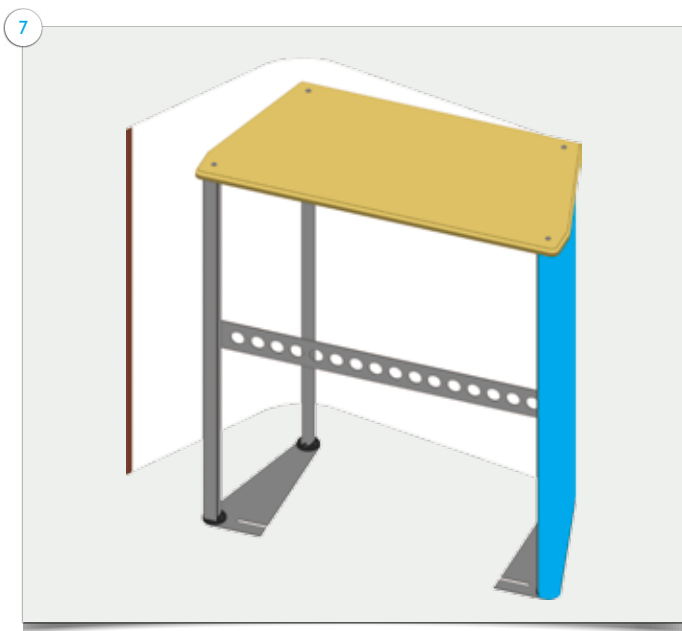
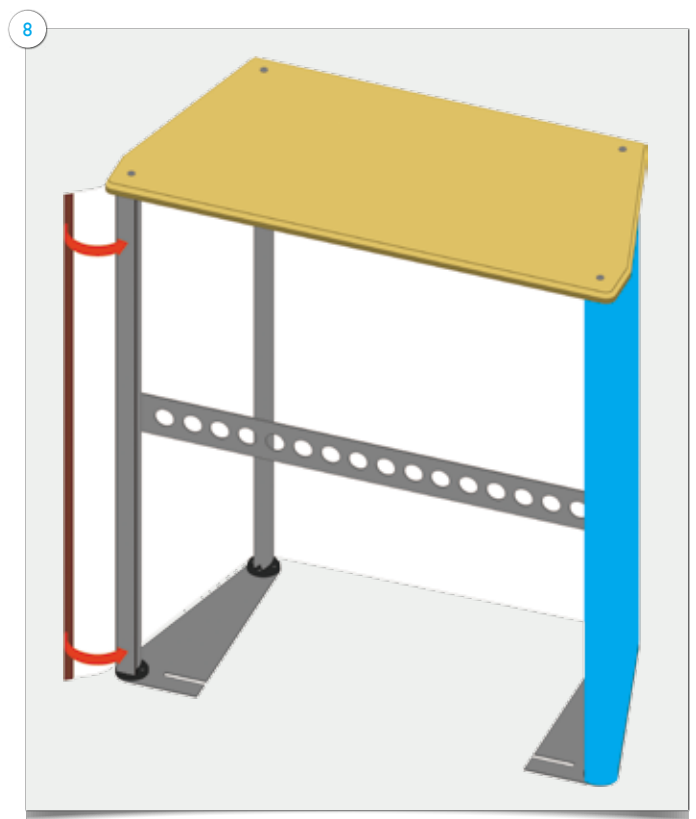
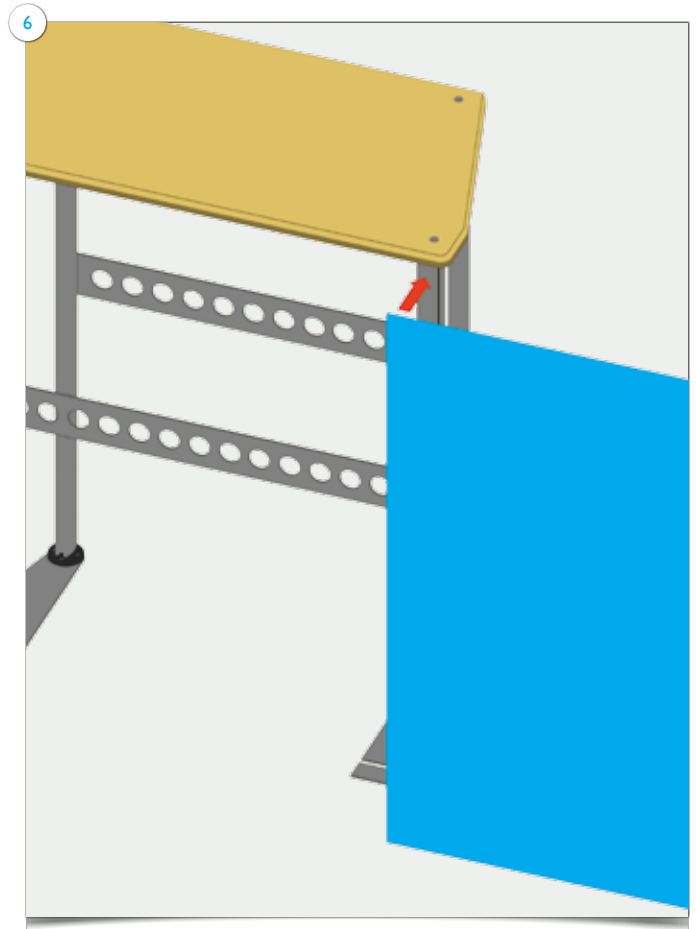
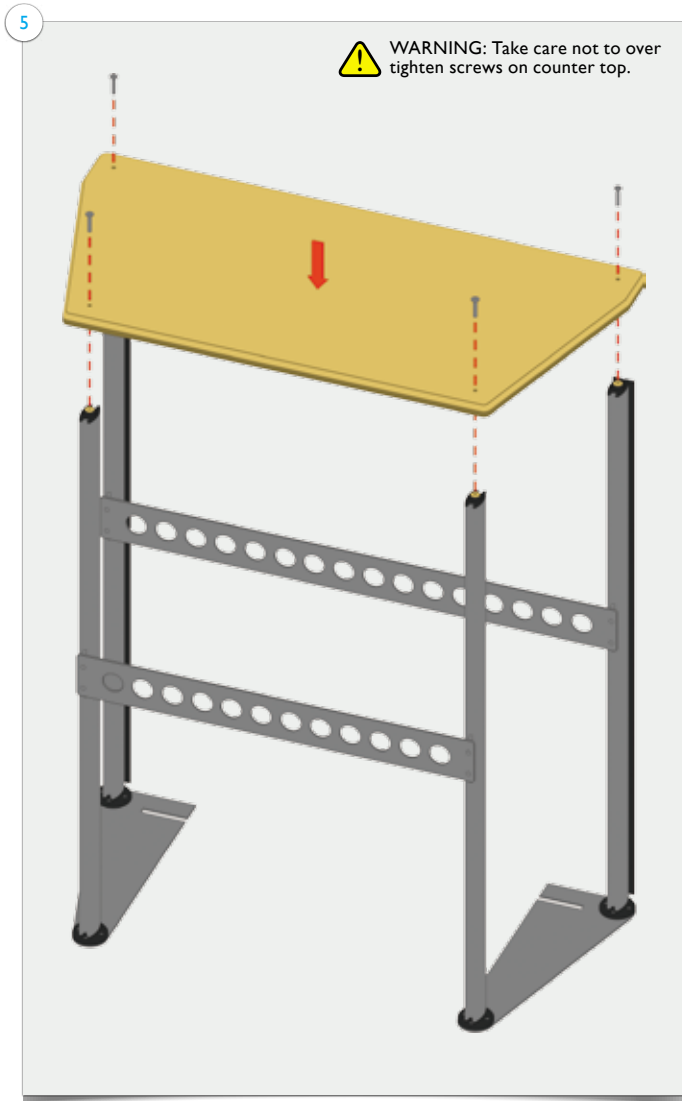
Part I
Twist Counter Setup Instructions

Items

Items: 2x counter feet; 4x upright sections; 2x crossbars; 1x counter top; 4x screws; 1x Allen key; 1x counter graphic.



Part2
Twist Counter Setup Instructions



Twist Counter

