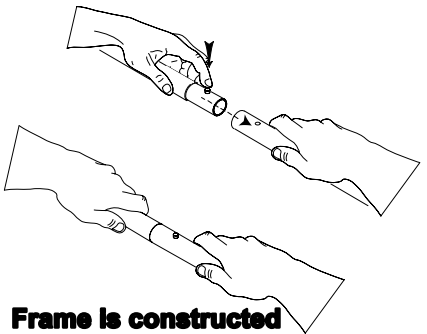
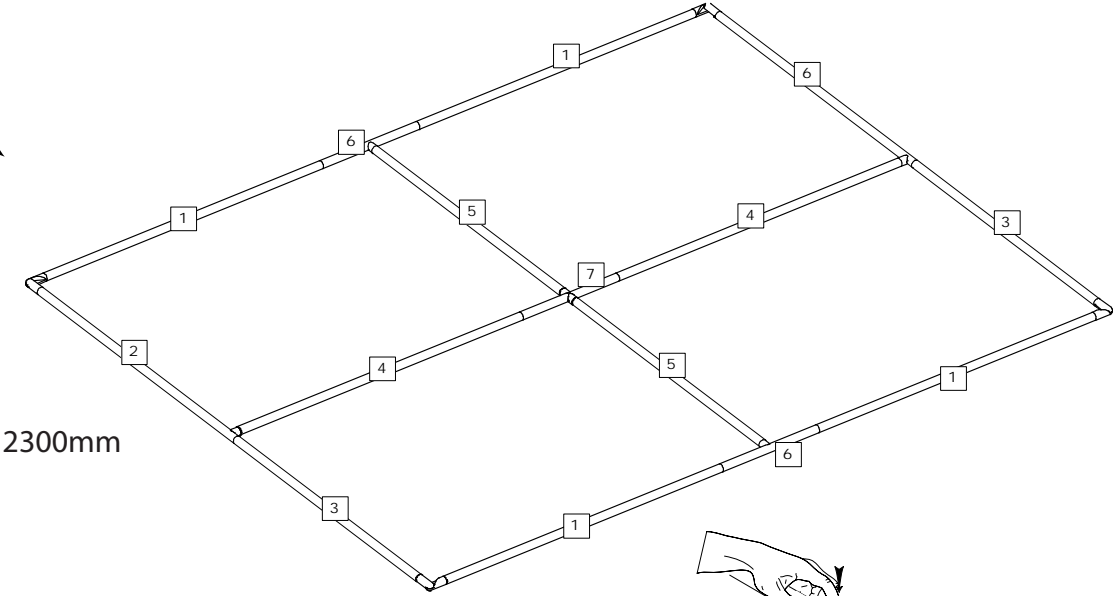
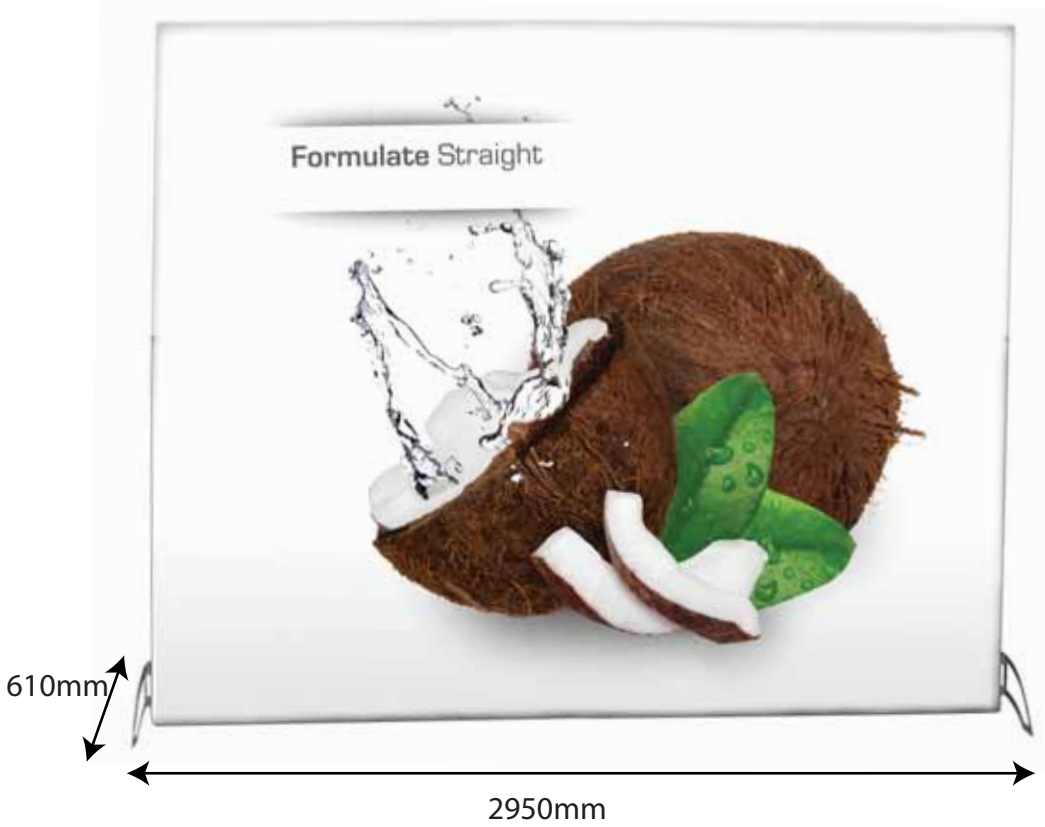



# Formulate Straight



**Frame is constructed used snap buttons**

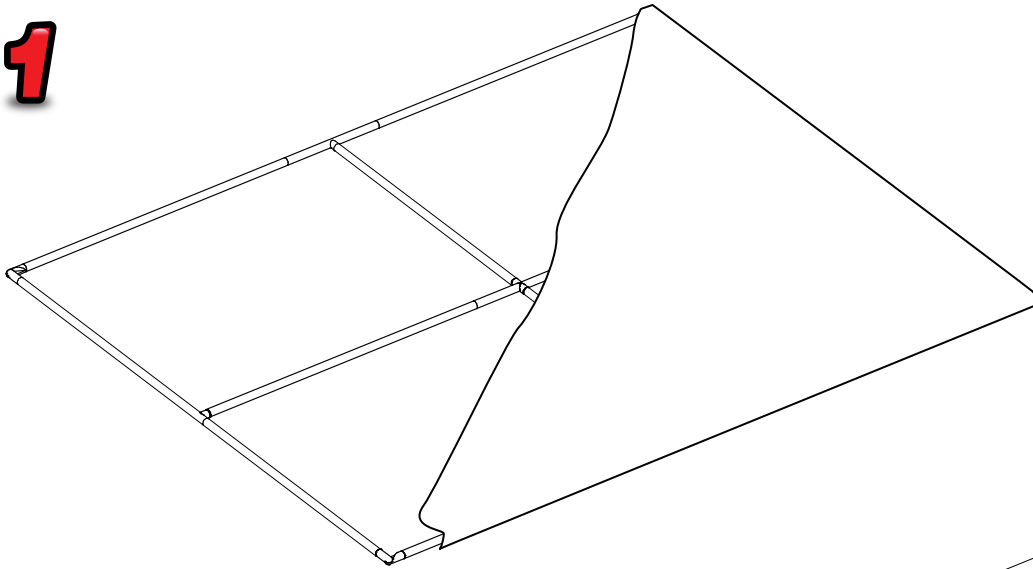
kg  
12.62

  
Visible graphic Area : 2900 (w) x 2360 (h)

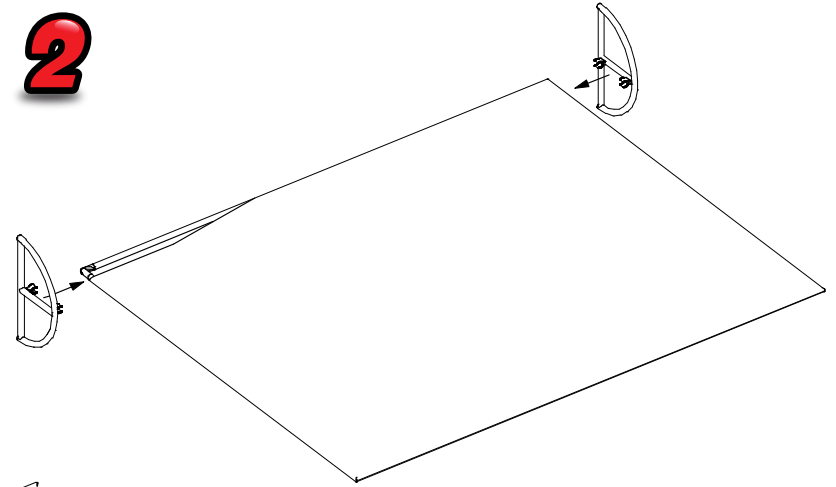
# Formulate Straight

Attaching Graphic

**1**



**2**



**3**

